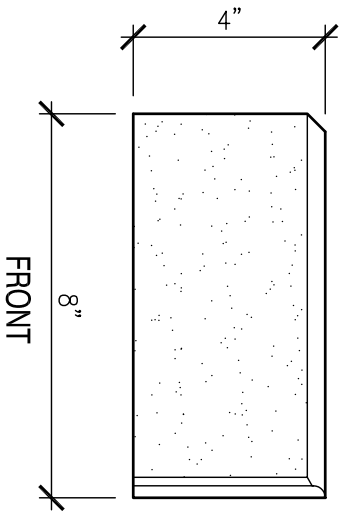
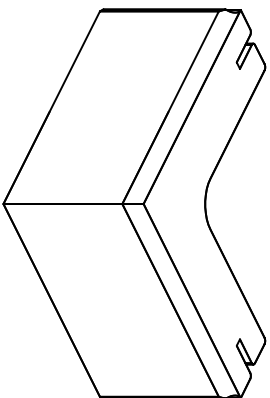


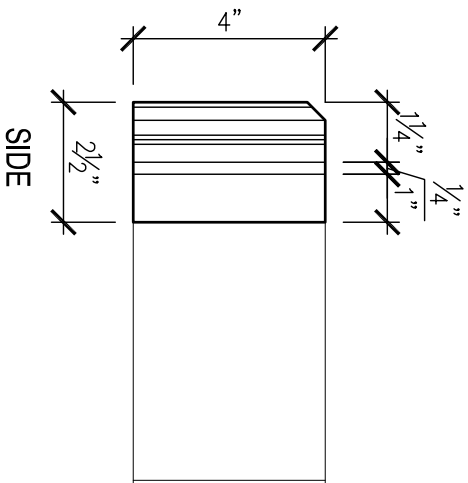
TOP



FRONT



ISOMETRIC
(NOT TO SCALE)



SIDE

SHEET TITLE:
4" CORNER BLOCK UNIT - NO SCORE

Alliance Concrete Concepts, Inc.
325 Alliance Place NE
Rochester, MN 55906
Toll Free: (877) 248-7456
Phone: (507) 536-4515
Fax: (507) 529-2879
Web: www.moderra.com



SCALE:	3" = 1'-0"
REVISION NO.	1
DRAWN BY:	BTP
DATE:	05-13-04

DRAWING NO:

140