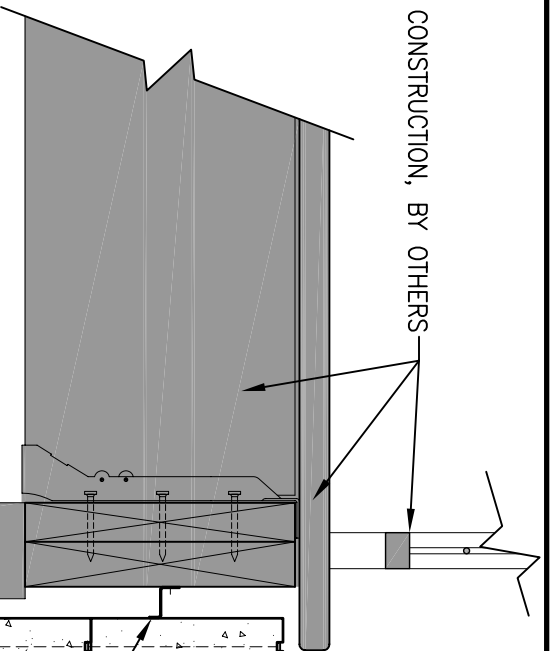
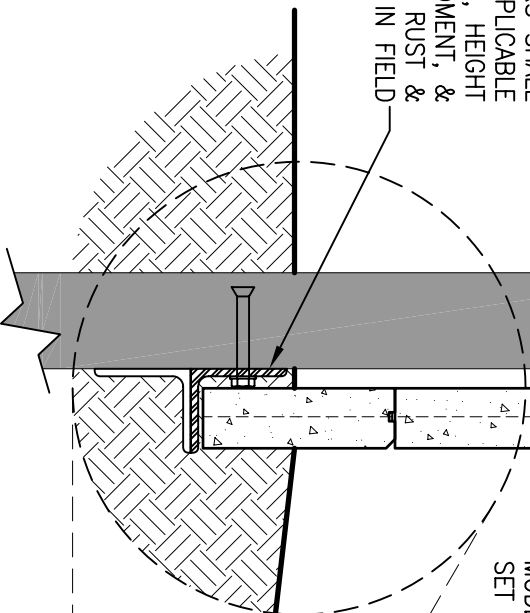


DECK CONSTRUCTION, BY OTHERS



STEEL BASE LEDGE, 4x3x1/4 OR 3x3x1/4 ANGLE MIN. (REVERSE ANGLE IF NEEDED), W/ 1/2" EXPANSION BOLT ANCHORS SHALL BE DETERMINED TO SUIT APPLICABLE CODES, MATERIALS, LOADS, SIZES, HEIGHT OF MATERIAL, ANCHOR IMBEDMENT, & SPACING. FINISH ANGLE TO RESIST RUST & ALLOW PAINT APPLICATION IN FIELD



NOTE:  
FOR DECKS 4' OR MORE ABOVE GRADE USE CONTINUOUS 2x4 FRAMING AS SHOWN IN OPTIONAL BASE FOR FRAMING @ 4'-0" O.C. VERTICALLY

MODERRA CHANNEL BRACKET, 16" O.C. HORIZONTALLY, 4'-0" O.C. VERTICALLY

MODERRA H-CHANNEL - CONTINUOUS VERTICALLY

MODERRA BLOCK OR BRICK UNITS, SET DRY

2x4 ANCHORED TO DECK CONSTRUCTION

MODERRA CHANNEL BRACKET, 16" O.C. HORIZONTALLY, 4'-0" O.C. VERTICALLY

MODERRA UNITS SET ON 4" COMPACTED CRUSHED ROCK

OPTIONAL BASE

Alliance Concrete Concepts, Inc.  
325 Alliance Place NE  
Rochester, MN 55906  
Toll Free: (877) 248-7456  
Phone: (507) 536-4515  
Fax: (507) 529-2879  
Web: www.moderra.com



SHEET TITLE:  
DESIGN OPTION -  
DECK SKIRTING

SCALE:	1 1/2" = 1'-0"
REVISION NO.	1
DRAWN BY:	BTP
DATE:	05-13-04

DRAWING NO:  
**112**