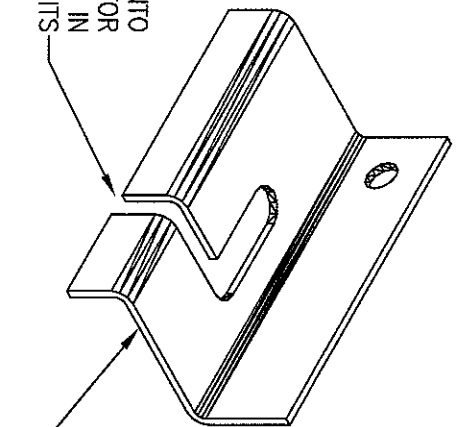
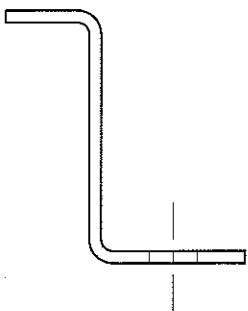


TOP

H-CHANNEL INSERTED INTO
SLOT - ALLOWS FOR
VERTICAL MOVEMENT IN
MODERRA UNITS

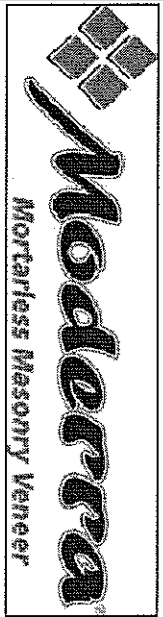


ISOMETRIC
(NOT TO SCALE)



SIDE

Alliance Concrete Concepts, Inc.
325 Alliance Place NE
Rochester, MN 55906
Toll Free (877) 248-7456
Phone: (507) 536-4515
Fax: (507) 529-2879
Web: www.moderra.com



CHANNELS
MODERRA DECK BRACKET

SCALE:	FULL
REVISION NO.	2
DRAWN BY:	BTP
DATE:	06-08-04

DRAWING NO:

122