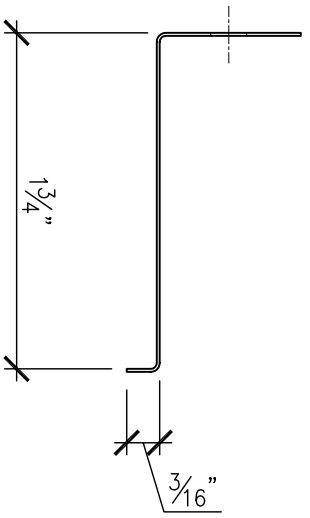
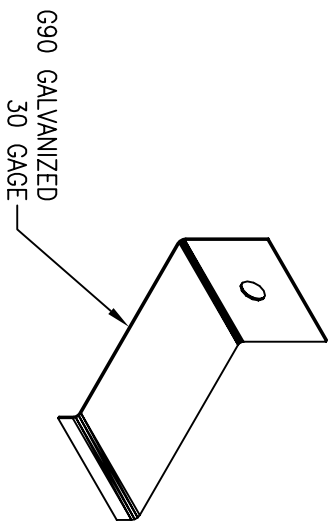


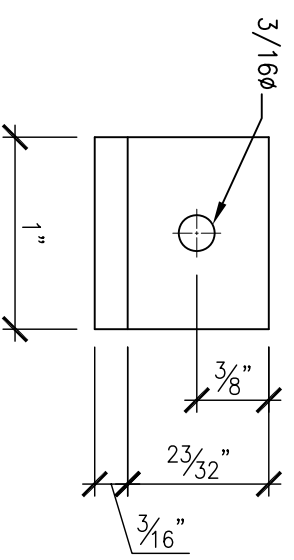
TOP



FRONT



ISOMETRIC  
(NOT TO SCALE)



SIDE

Alliance Concrete Concepts, Inc.  
325 Alliance Place NE  
Rochester, MN 55906  
Toll Free: (877) 248-7456  
Phone: (507) 536-4515  
Fax: (507) 529-2879  
Web: www.moderra.com



SHEET TITLE:  
MODERRA UNIT TILE

SCALE:	FULL
REVISION NO.	1
DRAWN BY:	BTP
DATE:	05-13-04

DRAWING NO:

**123**