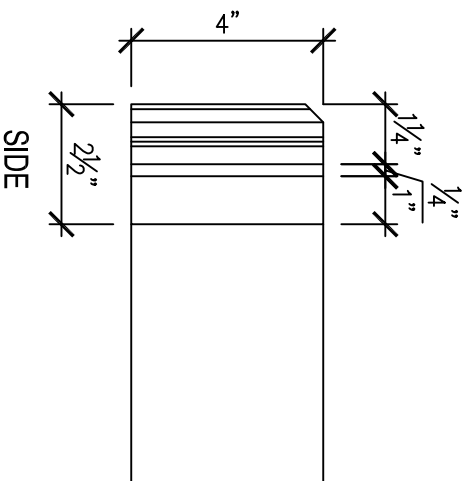


ISOMETRIC  
(NOT TO SCALE)



Alliance Concrete Concepts, Inc.  
 325 Alliance Place NE  
 Rochester, MN 55906  
 Toll Free: (877) 248-7456  
 Phone: (507) 536-4515  
 Fax: (507) 529-2879  
 Web: www.moderra.com



SHEET TITLE:  
 4" BRICK CORNER BLOCK UNIT

SCALE:	3" = 1'-0"
REVISION NO.	1
DRAWN BY:	BTP
DATE:	05-13-04

DRAWING NO.:

**142**